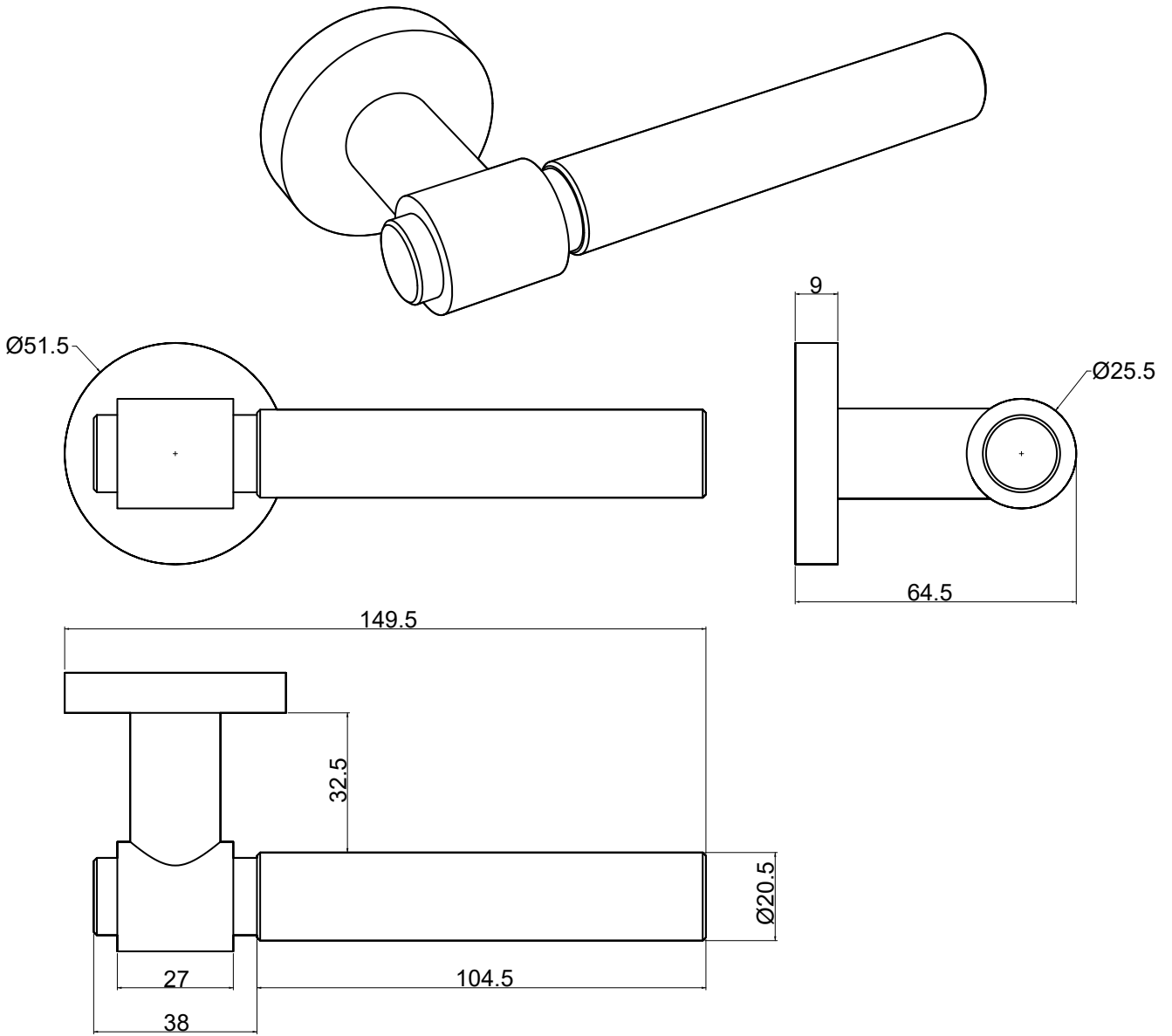


# Helix 200- Dimensions



## Mounting plate hole configurations

